

# UL-E Series

## PUSH AROUND MAST LIFT

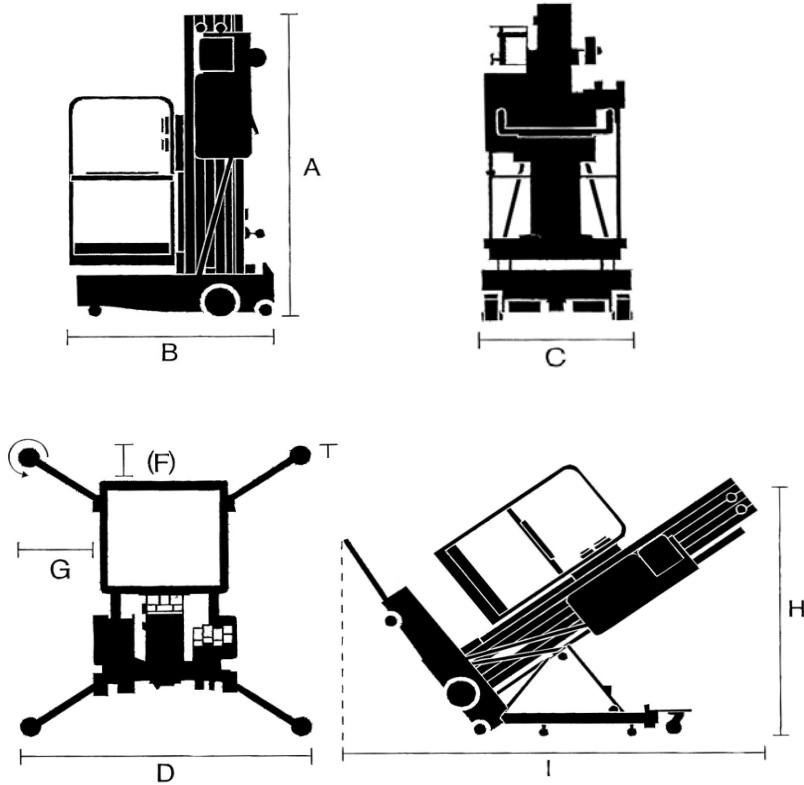


- Robust push-around mast lifts
- Compact dimensions
- Passes through a standard doorway
- Easy loader system for flatbed
- vehicle transport

 **snorkel**  
[www.snorkellifts.com](http://www.snorkellifts.com)

# UL-E Series

## PUSH AROUND MAST LIFT



### STANDARD FEATURES

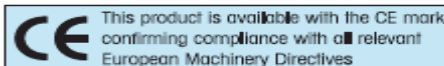
- Tilt-back mechanism
- Outriggers indicator lights
- Power cable to platform (no sockets)
- AC , DC power available
- Integrated battery charger (DC only)
- Emergency stop button
- Push button control
- CE Approved

SPECIFICATIONS		UL15E	UL20E	UL25E	UL30E	UL35E	UL38E	UL40E
Working Height		6.53 m.	7.91 m.	9.23 m.	10.68 m.	12.06 m.	13.80 m.	13.92 m.
Platform Height		4.53 m.	5.91 m.	7.23 m.	8.68 m.	10.06 m.	11.80 m.	11.92 m.
Platform Capacity		159 kg	159 kg	159 kg	159 kg	159 kg	136 kg	136 kg
Max. Platform Size		0.66 m x 0.68 m	0.66 m x 0.68 m	0.66 m x 0.68 m	0.66 m x 0.68 m	0.66 m x 0.68 m	0.66 m x 0.68 m	0.66 m x 0.68 m
Stowed Height	A	1.97 m.	1.97 m.	1.97 m.	1.97 m.	1.97 m.	1.97 m.	2.77 m.
Stowed Length	B	1.21 m	1.27 m	1.34 m	1.40 m	1.46 m	1.53 m	1.40 m
Stowed Width	C	0.74 m	0.74 m	0.74 m	0.74 m	0.74 m	0.74 m	0.74 m
Outriggers Footprint	DxE	1.38mX1.68m.	1.38mX1.68m.	1.38mX1.68m.	1.60mX1.90m	1.81mX2.10m	2.02mX2.32m	2.02mX2.32m
Distance Between	F	0.24 m	0.17 m	0.10 m	0.14 m	0.20 m	0.35 m	0.35 m
	G	0.34 m	0.34 m	0.34 m	0.45 m	0.58 m	0.66 m	0.66 m
Tilt Bar	H	n/a	n/a	n/a	n/a	n/a	n/a	1.97 m
	I	n/a	n/a	n/a	n/a	n/a	n/a	2.82 m
Weight (AC)		335 kg	360 kg	385 kg	410 kg	450 kg	458 kg	560 kg
Weight (DC)		370 kg	395 kg	420 kg	445 kg	480 kg	493 kg	595 kg
Energy		AC 100V , DC 12V						



#### Fivebond Co.,Ltd.

72 Ramintra Rd., Minburi Bangkok 10510  
 Tel. : +662 082-5266 Fax. : +662 085-5264  
 E-mail : sales@fivebond.com



FIVEBOND is a member of



International Powered  
Access Federation

[www.fivebond.com](http://www.fivebond.com)